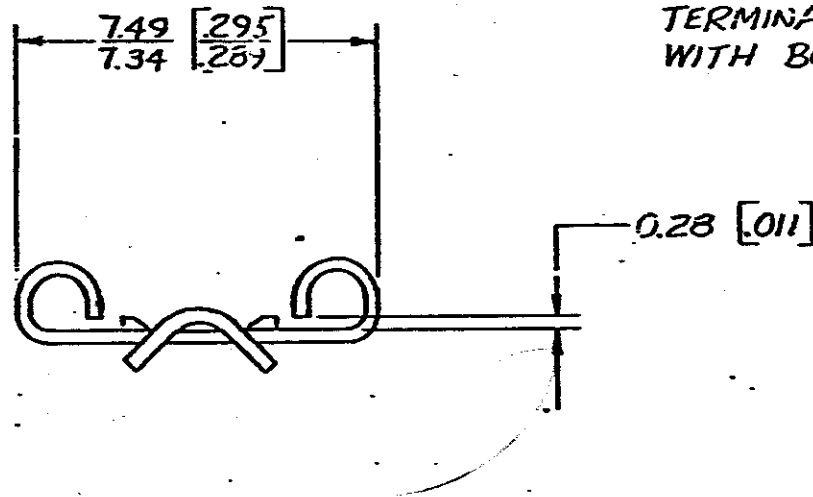
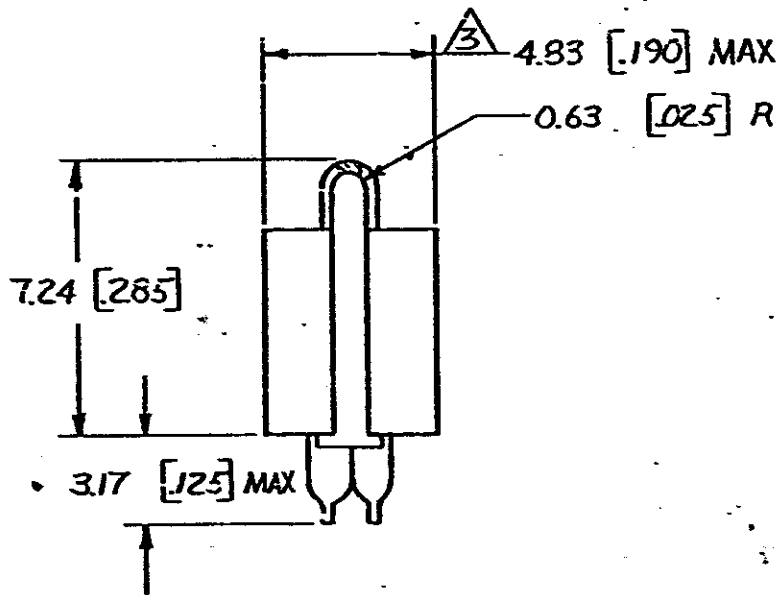


© COPYRIGHT 1978 BY AMP INCORPORATED, HARRISBURG, PA.
 ALL INTERNATIONAL RIGHTS RESERVED. AMP INCORPORATED PRODUCTS
 COVERED BY U. S. AND FOREIGN PATENTS AND/OR PATENTS PENDING.

REVISIONS					
REV	DATE	ZONE	LTR	DESCRIPTION	APPROVED
✓	1/24/65	A		REVISED AF-1146	PMF
✓	8/22/68	B		OBS 62806-1 AF-4436	PMF
✓	9/2/68	C		REV PER AF-4436	PMF/DJB
✓	10/2/68	D		REACTIVATE 62806-1 AF-5992	PMF

1. DIMS IN BRACKETS ARE IN INCHES.
 2. TO BE MOUNTED IN 2.54 ± 0.05
 $[.100 \pm .002]$ DIA HOLE.
- △ MAX DIMENSION REFERS TO THE
 TERMINAL'S COMPRESSED STATE
 WITH BOTH PADS TOUCHING.



62751-1	62806-1
STRIP NO.	PART NO LOOSE PIECE

<h1>METRIC</h1>	UNLESS OTHERWISE SPECIFIED DIMENSIONS ARE IN MM MM TOLERANCES ON: DECIMALS $\pm 0.38 [05]$ ANGLES \pm	CONTRACT NO	AMP AMP INCORPORATED Harrisburg, Pa.	
	MATERIAL 0.25 [010] THK BRASS	DR. <i>X. Schaffhauser</i> 8/23/78 CHK <i>G. Yetter</i> 8-29-78 APPD <i>D. Schwink</i> 8-29-78 APPO <i>G. Z. Galy</i> 8-29-78		NAME P.C.B. RECEPTACLE (250 x .016 SPACE)
	FINISH TIN	OTHER APPD	SIZE B	CODE IDENT NO 00779
			SCALE	DRAWING NO 62806 LOOSE PIECE SHEET